



PP32-CIR

Stanilite® Emergency Power Packs retrofit into T5, T8, PL and Circular lamped luminaries. Each pack is suitable to convert one fluorescent lamp in a general purpose luminaire to an emergency light. Battery packs included with each power pack.

Features

- Available to run many lamp sizes in Non Maintained and Maintained mode of operation.

T8 Economy Power Packs

Part No.	Description	Case Type	Battery Pack (included)	Battery Pack
EPP18M	Economy Inverter Pack 18W T8 Maintained	A	03-01208	5x Sub C NiCad
EPP18N	Economy Inverter Pack 18W T8 Non Maintained	A	03-01208	5x Sub C NiCad
EPP36M	Economy Inverter Pack 36W T8 Maintained	A	03-01209	7x Sub C NiCad

T8 Premium Power Packs

PP10	Premium Inverter Pack 10W T8	A	03-01014P	2xD NiCad
PP18	Premium Inverter Pack 18W T8	A	03-01015P	3xD NiCad
PP36	Premium Inverter Pack 36W T8	A	03-01001P	4xD NiCad
PP58	Premium Inverter Pack 58W T8	A	03-01013P	5xD NiCad

PL & Circular Lamp Power Packs

PP13-PL4PIN	Premium Inverter Pack 13W PL 4-PIN	A	03-01001P	4xD NiCad
PP16-2D4PIN	Premium Inverter 16W 2D 4-PIN	A	03-01015P	3xD NiCad
PP18L-PL4PIN	Premium Inverter 18W PL L 4-PIN	A	03-01001P	4xD NiCad
PP18-PL4PIN	Premium Inverter 18W PL 4-PIN	A	03-01015P	3xD NiCad
PP26D/E-PL4PIN	Premium Inverter 26W D/E PL 4-PIN lamp	A	03-01001P	4xD NiCad
PP26-PL4PIN	Premium Inverter 26W T/E PL 4-PIN lamp	A	03-01001P	4xD NiCad
PP28-2D4PIN	Premium Inverter 28W 2D 4-PIN lamp	A	03-01077	4xD NiCad
PP32-CIR	Premium Inverter 32W Circular Lamp	A	03-01077	4xD NiCad
PP32T/E-PL4PIN	Premium Inverter 32W T/E PL 4-PIN lamp	A	03-01001P	4xD NiCad
PP36L-PL4PIN	Premium Inverter 36W PLL 4-PIN lamp	A	03-01001P	4xD NiCad

T5 Power Packs

Part No.	Description	Case Type	Battery Pack (included)	Battery Pack
PP14-T5	Inverter Pack 14W T5	A	03-01015P	3xD NiCad
PP21-T5	Inverter Pack 21W T5	A	03-01001P	4xD NiCad
PP28-T5	Inverter Pack 28W T5	A	03-01013P	5xD NiCad
PP54-T5	Inverter Pack 54W T5	A	2 x 03-01015P	6xD NiCad

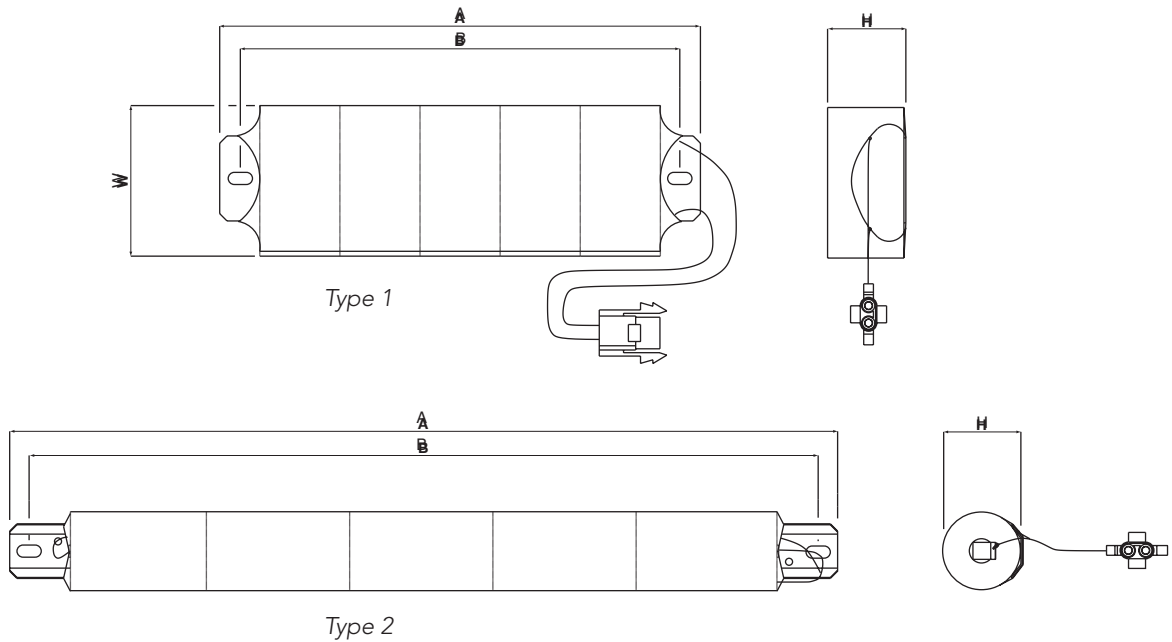


Nexus® Power Packs

PPNXS18	Nexus Inverter Pack 18W T8	B	03-01015P	3D NiCad
PPNXS36	Nexus Inverter Pack 36W T8	B	03-01001P	4D NiCad
PPNXS58	Nexus Inverter Pack 58W T8	B	03-01013P	5D NiCad
PPNXS13-PL4PIN	Nexus Inverter Pack 13W PL 4-PIN	B	03-01001P	4xD NiCad
PPNXS18D/E-PL4P	Nexus Inverter Pack 18W PL 4-PIN	B	03-01015P	3D NiCad
PPNXS26-PL4PIN	Nexus Inverter Pack 26W PL 4-PIN	B	03-01001P	4xD NiCad
PPNXS28-2D4PIN	Nexus Inverter Pack 28W 2D 4-PIN	B	03-01077	4xD NiCad
PPNXS32T/E-PL4P	Nexus Inverter Pack 32W T/E PL 4-PIN	B	03-01077	4xD NiCad
PPNXS38-2D4PIN	Nexus Inverter Pack 38W 2D 4-PIN	B	03-01013P	5xD NiCad
PPNXS14-T5	Nexus Inverter Pack 14W T5	B	03-01015P	3xD NiCad
PPNXS21-T5	Nexus Inverter Pack 21W T5	B	03-01001P	4xD NiCad
PPNXS28-T5	Nexus Inverter Pack 28W T5	C	03-01013P	5xD NiCad
PPNXS35-T5	Nexus Inverter Pack 35W T5	C	2 x 03-01015P	6xD NiCad
PPNXS39-T5	Nexus Inverter Pack 39W T5	C	03-01013P	5xD NiCad
PPNXS54-T5	Nexus Inverter Pack 54W T5	C	2 x 03-01015P	6xD NiCad

Note All Power Packs include the Battery Pack. Other specialty packs available on request.

Battery Packs



Note lead length for all battery packs is 200mm

Battery Pack Dimensions

Part No.	Type	Length (A)	Mounting Hole Centres (B)	Width (W)	Height (H)
• 03-01077	1	170mm	144mm	60mm	32mm
• 03-01208	1	163mm	143mm	45mm	25mm
• 03-01209	1	210mm	188mm	45mm	25mm
• 03-01001P	2	280mm	264mm	–	32mm
• 03-01013P	2	340mm	324mm	–	33mm
• 03-01014P	2	150mm	134mm	–	32mm
• 03-01015P	2	220mm	204mm	–	32mm

Power Pack Dimensions

Case Type	Dimensions	Mounting Hole Centres
• A	225mm (L) x 42mm (W) x 37mm (H)	210
• B	236mm (L) x 47mm (W) x 41mm (H)	226
• C	268mm (L) x 48mm (W) x 41mm (H)	260

Construction

- Body White Colour Bond Steel

Thomas & Betts emergency lighting products are designed to comply with AS2293 and meet relevant Australian EMC Standards. Due to ongoing product development, specification changes may result.