

QUICKFIT®



The Stanilite® Weatherproof Quickfit® Exits provide a unique weatherproof solution using the standard Quickfit® combined with a specially designed vandal resistant enclosure. The Weatherproof Quickfits® are suitable for many industrial and commercial applications with an IP65 rating. Exits can be wall or ceiling mounted.

Features

- Available in either electronic ballast 10W or Lumatec® cold cathode 6 year rated lamp
- UV stabilised polycarbonate cover or hi-impact chemical resistant acrylic cover options
- Optional steel bracket for wall mounting
- Cantilever mounting option available
- Viewing distance 24m

Quickfit® 10W Weatherproof - Pictograph

Part No.	Description
PWQF110MA-1	1x10W Maintained Single Sided Acrylic Cover PICTO
PWQF110MA-2	1x10W Maintained Single Sided Acrylic Cover <PICTO
PWQF110MA-3	1x10W Maintained Single Sided Acrylic Cover PICTO>
PWQF110MA-5	1x10W Maintained Double Sided Acrylic Cover PICTO
PWQF110MA-6	1x10W Maintained Double Sided Acrylic Cover AOW PICTO
PWQF210SA-1	2x10W Sustained Single Sided Acrylic Cover PICTO
PWQF210SA-2	2x10W Sustained Single Sided Acrylic Cover <PICTO
PWQF210SA-3	2x10W Sustained Single Sided Acrylic Cover PICTO>
PWQF210SA-5	2x10W Sustained Double Sided Acrylic Cover PICTO
PWQF210SA-6	2x10W Sustained Double Sided Acrylic Cover AOW PICTO

Note for polycarbonate cover, change "A" to "P" in the part number when ordering eg PWQF110MP-1

Stanilite
LUMATEC®

Quickfit® Lumatec® Cold Cathode 50,000HR Weatherproof - Pictograph

PWQFDR50KA-1	4W Maintained Single Sided DR 50K Hour Lamp Acrylic Cover PICTO
PWQFDR50KA-2	4W Maintained Single Sided DR 50K Hour Lamp Acrylic Cover <PICTO
PWQFDR50KA-3	4W Maintained Single Sided DR 50K Hour Lamp Acrylic Cover PICTO>
PWQFDR50KA-5	4W Maintained Double Sided DR 50K Hour Lamp Acrylic Cover PICTO
PWQFDR50KA-6	4W Maintained Double Sided DR 50K Hour Lamp Acrylic Cover AOW PICTO

Note for polycarbonate cover, change "A" to "P" in the part number when ordering eg PWQFDR50KP-1



Quickfit® 10W Nexus® Weatherproof - Pictograph

Part No.	Description
PWQFNXS110MA-1	Nexus 1x10W Maintained Single Sided Acrylic Cover PICTO
PWQFNXS110MA-2	Nexus 1x10W Maintained Single Sided Acrylic Cover <PICTO
PWQFNXS110MA-3	Nexus 1x10W Maintained Single Sided Acrylic Cover PICTO>
PWQFNXS110MA-5	Nexus 1x10W Maintained Double Sided Acrylic Cover PICTO
PWQFNXS110MA-6	Nexus 1x10W Maintained Double Sided Acrylic Cover AOW PICTO
PWQFNXS210SA-1	Nexus 2x10W Sustained Single Sided Acrylic Cover PICTO
PWQFNXS210SA-2	Nexus 2x10W Sustained Single Sided Acrylic Cover <PICTO
PWQFNXS210SA-3	Nexus 2x10W Sustained Single Sided Acrylic Cover PICTO>
PWQFNXS210SA-5	Nexus 2x10W Sustained Double Sided Acrylic Cover PICTO
PWQFNXS210SA-6	Nexus 2x10W Sustained Double Sided Acrylic Cover AOW PICTO

Note for polycarbonate cover, change "A" to "P" in the part number when ordering eg PWQFNXS110MP-1



Quickfit® Lumatec® Cold Cathode 50,000HR Nexus® Weatherproof - Pictograph

PWQFNXSDR50KA-1	Nexus 4W Maintained Single Sided DR 50K Hour Lamp Acrylic Cover PICTO
PWQFNXSDR50KA-2	Nexus 4W Maintained Single Sided DR 50K Hour Lamp Acrylic Cover <PICTO
PWQFNXSDR50KA-3	Nexus 4W Maintained Single Sided DR 50K Hour Lamp Acrylic Cover PICTO>
PWQFNXSDR50KA-5	Nexus 4W Maintained Double Sided DR 50K Hour Lamp Acrylic Cover PICTO
PWQFNXSDR50KA-6	Nexus 4W Maintained Double Sided DR 50K Hour Lamp Acrylic Cover AOW PICTO

Note for polycarbonate cover, change "A" to "P" in the part number when ordering eg PWQFNXSDR50KP-1



PICTO
Straight from here

<PICTO
Left from here

PICTO>
Right from here

Technical Specifications

Photometrics & Luminaires Spacings											
Product	Classification		Mounting Height in Metres								
			2.1	2.4	2.7	3.0	3.3	3.6	4.0	4.5	5.0
PWQF110M	C0	E2	5.2	5.2	5.4	5.2	5.0	4.6	4.8	4.0	
	C90	E1.6	4.8	4.8	4.8	4.4	4.0	4.2	3.8		
PWQF210S	C0	E2	5.2	5.2	5.4	5.2	5.0	4.6	4.8	4.0	
	C90	E1.6	4.8	4.8	4.8	4.4	4.0	4.2	3.8		
PWQFDR50K Single Sided	C0	E1.25	5.2	5.2	5.4	5.2	5.0	4.6	4.8	4.0	
	C90	E1.25	4.2	4.2	4.0	3.6	4.0	3.0			
PWQFDR50K Double Sided	C0	E2.5	5.6	5.8	5.8	6.0	5.8	5.8	5.2	5.2	4.6
	C90	E2.5	5.2	5.2	5.4	5.2	5.0	4.6	4.8	4.0	

* Nexus versions of the above have the same data

Note Under AS2293.1-2005, exit signs shall be mounted not less than 2m and not more than 2.7m above floor level, or immediately above the doorway if the doorway is higher than 2.7m. However, variations to these heights shall be allowed when specifically agreed by the relevant regulatory authority.

Power Consumption

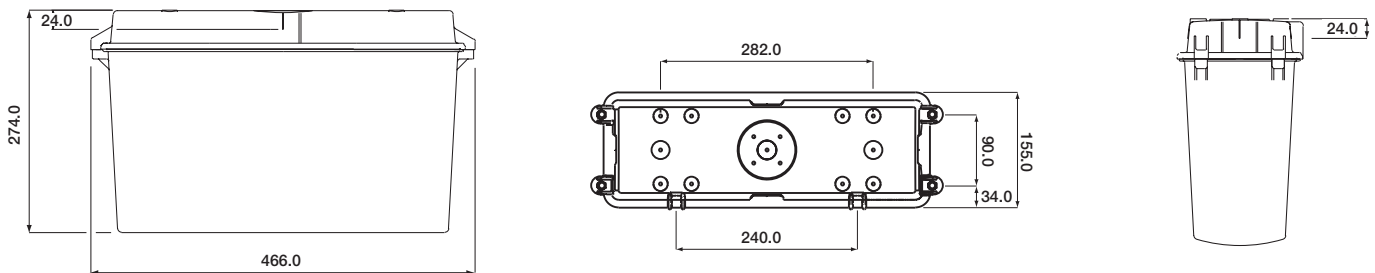
240V AC 50HZ

• 10W Quickfit Weatherproof Exit	9.2W
• 10W Quickfit Weatherproof Nexus Exit	9.5W
• 4W Quickfit Lumatec Weatherproof Exit	6.6W
• 4W Quickfit Lumatec W/proof Nexus Exit	7.2W

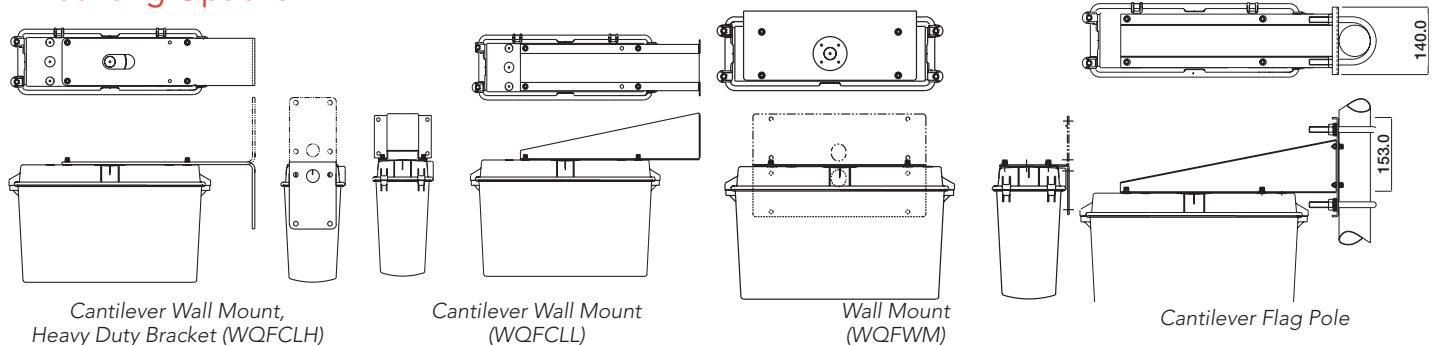
Construction

• Body	Moulded ABS
• Bracket	Zinc Steel – White Powder Coated
• Diffuser	Moulded Acrylic
• Enclosure Cover	Vandal Resistant Polycarbonate or Hi-Impact Chemical Resistant Acrylic options
• Base	Black GRP

Dimensions

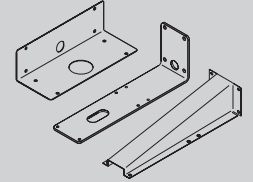


Mounting Options



Parts & Accessories

Part No.	Description
Diffusers	
31-MQD1P	Quickfit Weatherproof PICTO diffuser "straight from here"
31-MQD2P	Quickfit Weatherproof <PICTO diffuser "left from here"
31-MQD3P	Quickfit Weatherproof PICTO> diffuser "right from here"
Back Plates	
31-MQBPB	Back plate to suit Quickfit Weatherproof
Weatherproof Enclosures	
02-WQFEA	Quickfit Weatherproof enclosure acrylic diffuser
02-WQFEP	Quickfit Weatherproof enclosure polycarbonate diffuser
Mounting Bracket	
03-02061	Ceiling bracket assembly black powder coated
WQFCLH	Cantilever mounting bracket – heavy duty
WQFCLL	Cantilever mounting bracket – light duty
WQFWM	Wall mount bracket
Lamps	
15-00215	Lamp to suit Quickfit 10W Weatherproofs
CCFL4-5	Lumatec 4W lamp to suit Cold Cathode Quickfits – pack of 5
Batteries	
03-01205	Battery 6 cell sub C to suit Quickfit Weatherproofs



WQFWM, WQFCLH, WQFCLL
Note All bracket options are supplied with hardware for fixing brackets to the base

Thomas & Betts emergency lighting products are tested to comply with AS2293 and meet relevant Australian EMC Standards. Due to ongoing product development, specification changes may result.